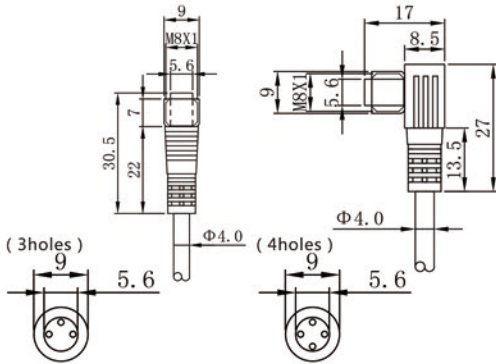


Features:

- Precision, Stabilization
- Plastic rectangular housing
- PICO type female cable
- Automatic safety nut locking function
- Injection cable



Dimensioned drawing



Model No.

Number of holes (needles)	3	4
Housing material	PVC	PVC
Type	B8-3GV2	B8-4GV2
Type	B8-3WV2	B8-4WV2

Contact arrangements

Face view female		
Color code	1=Brown 3=Blue 4=Black	1=Brown 4=Black 2=White 3=Blue
Conductors gage	0.34mm <sup>2</sup>	0.25mm <sup>2</sup>
Conductors stranding	42 $\phi$ 0.10	32 $\phi$ 0.10
Outer jacket Dia. : mm	5.0	5.0
Outer jacket Material	PVC	PVC

Technical data

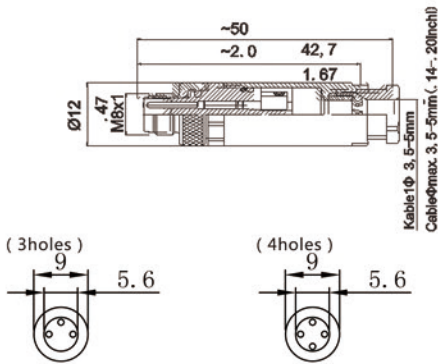
Applicable grade	HNE according to DIN 40040(-25°C/+90°C/≤75%rF)standard
Injection of ontology	TPU
Rated current	4A
Rated voltage	60VAC/75VDC
Terminal	Brass , gold-plated
waterproof ring	Viton
Body material	TPU
Safety nuts	Brass , nickel-plated
Ingress protection	IP67
Connection impedance	≤5m $\Omega$
Insulation grade	C according to VDE 0110 standard
Test voltage	1.5KV eff./60s.
Insulation impedance	>10 $\Omega$

Features:

- Precision, Stabilization
- Plastic rectangular housing
- PICO type female cable
- Automatic safety nut locking function
- Injection cable



Dimensioned drawing



Model No.

Number of holes (needles)	3	4
Housing material	PVC	PVC
Type	<b>BM8-3GT</b>	<b>BM8-4GT</b>

Contact arrangements

Face view female		
Color code	1=Brown 3=Blue 4=Black	1=Brown 4=Black 2=White 3=Blue
Conductors gage	0.34mm <sup>2</sup>	0.25mm <sup>2</sup>
Conductors stranding	42 φ0.10	32 φ0.10
Outer jacket Dia. : mm	5.0	5.0
Outer jacket Material	PVC	PVC

Technical date

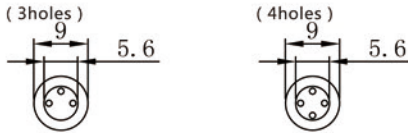
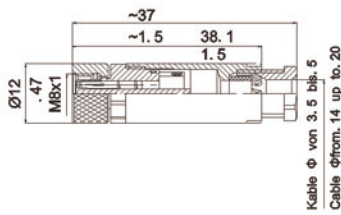
Applicable grade	HNE according to DIN 40040 ( -25°C/+90°C / ≤75%Rf ) standard
Injection of ontology	TPU
Rated current	4A
Rated voltage	60VAC/75VDC
Terminal	Brass , gold-plated
waterproof ring	Viton
Body material	TPU
Safety nuts	Brass , nickel-plated
Ingress protection	IP67
Connection impedance	≤5mΩ
Insulation grade	C according to VDE 0110 standard
Test voltage	1.5KV eff./60s.
Insulation impedance	>10 Ω

Features:

- Precision, Stabilization
- Plastic rectangular housing
- PIC0 type female cable
- Automatic safety nut locking function
- Injection cable



Dimensioned drawing



Contact arrangements

Face view female		
Color code	1=Brown 3=Blue 4=Black	1=Brown 4=Black 2=White 3=Blue
Conductors gage	0.34mm <sup>2</sup>	0.25mm <sup>2</sup>
Conductors stranding	42 φ0.10	32 φ0.10
Outer jacket Dia. : mm	5.0	5.0
Outer jacket Material	PVC	PVC

Technical date

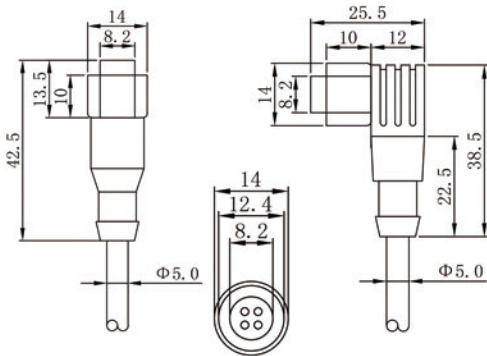
Applicable grade	HNE according to DIN 40040 ( -25°C/+90°C / ≤75%Rf ) standard
Injection of ontology	TPU
Rated current	4A
Rated voltage	60VAC/75VDC
Terminal	Brass , gold-plated
waterproof ring	Viton
Body material	TPU
Safety nuts	Brass , nickel-plated
Ingress protection	IP67
Connection impedance	≤5mΩ
Insulation grade	C according to VDE 0110 standard
Test voltage	1.5KV eff./60s.
Insulation impedance	>10 Ω

Features :

- Precision, Stabilization
- Plastic rectangular housing
- EURO type female cable
- Automatic safety nut locking function
- Injection cable



Dimensioned drawing



Model No.

Number of holes (needles)	4	4
Housing material	PVC/PUR	PVC/PUR
Type	B12-4GV2	B12-4WV2

Contact arrangements

Face view female			
Color code	1=Brown 2=White 3=Blue 4=Black		
Conductors gage	0.25mm <sup>2</sup>	0.34mm <sup>2</sup>	0.25mm <sup>2</sup>
Conductors stranding	32 $\phi$ 0.10	42 $\phi$ 0.10	32 $\phi$ 0.10
Outer jacket Dia. : mm	5.0	5.0	5.0
Outer jacket Material	PVC	PVC irradiated	PVC/PUR

Technical date

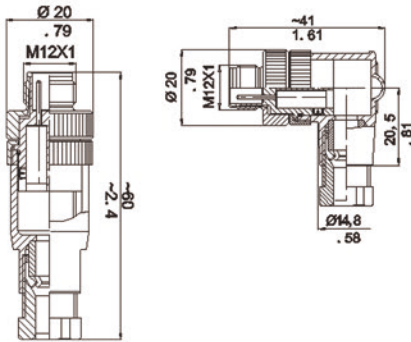
Applicable grade	HNE according to DIN 40040 ( -25°C/+90°C / $\leq$ 75%Rf ) standard
Injection of ontology	TPU
Rated current	4A
Rated voltage	60VAC/75VDC
Terminal	Brass , gold-plated
waterproof ring	Viton
Body material	TPU
Safety nuts	Brass , nickel-plated
Ingress protection	IP67
Connection impedance	$\leq$ 5m $\Omega$
Insulation grade	C according to VDE 0110 standard
Test voltage	1.5KV eff./60s.
Insulation impedance	>10 $\Omega$

Features:

- Precision, Stabilization
- Plastic rectangular housing
- MICROtype female cable
- Automatic safety nut locking function
- Terminal connection



Dimensioned drawing



Model No.

Number of holes (needles)	4	5
Housing material	PVC	PVC
Type	BM12-4GT	BM12-5GT
Type	BM12-4WT	BM12-5WT

Contact arrangements

Face view female		
Color code	1=Brown 4=Black 2=White 3=Blue	1=Brown 4=Black 2=White 3=Blue
Conductors gage	0.25mm <sup>2</sup>	0.25mm <sup>2</sup>
Conductors stranding	32 $\varnothing 0.10$	32 $\varnothing 0.10$
Outer jacket Dia. : mm	5.0	5.0
Outer jacket Material	PVC	PVC

Technical data

Applicable grade	HNE according to DIN 40040 ( -25°C/+90°C / $\leq 75\%R_f$ ) standard
Injection of ontology	TPU
Rated current	4A
Rated voltage	60VAC/75VDC
Terminal	Brass , gold-plated
waterproof ring	Viton
Body material	TPU
Safety nuts	Brass , nickel-plated
Ingress protection	IP67
Connection impedance	$\leq 5m\Omega$
Insulation grade	C according to VDE 0110 standard
Test voltage	1.5KV eff./60s.
Insulation impedance	$> 10 \Omega$

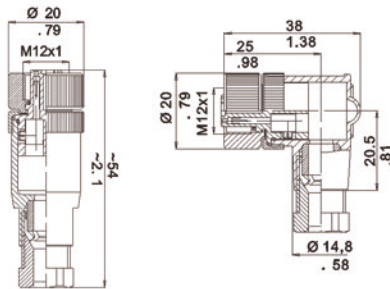


Features:

- Precision, Stabilization
- Plastic rectangular housing
- MICROtype female cable
- Automatic safety nut locking function
- Terminal connection



Dimensioned drawing



Model No.

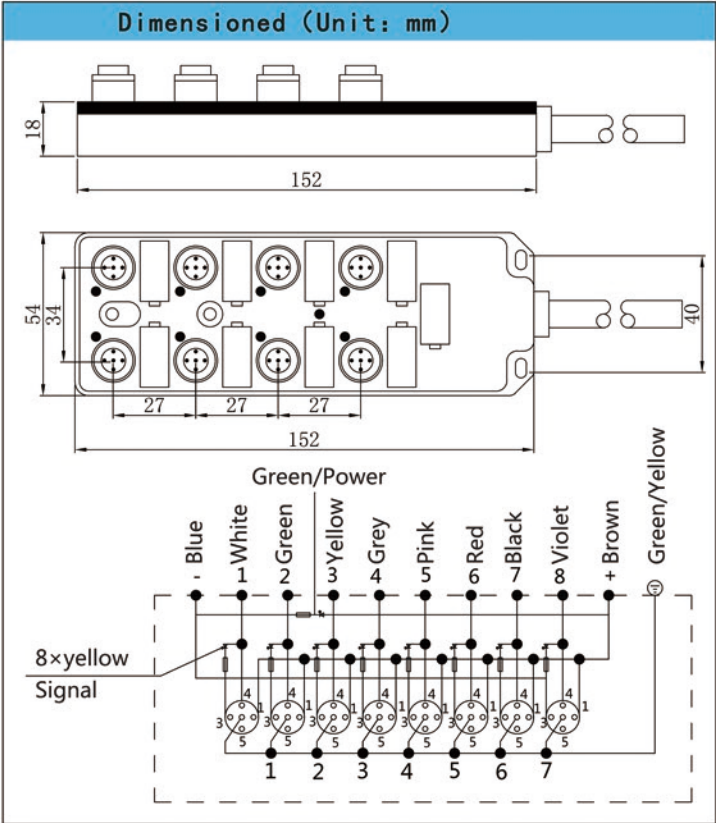
Number of holes (needles)	4	5
Housing material	PVC	PVC
Type	B12-4GT	B12-5GT
Type	B12-4WT	B12-5WT

Contact arrangements

Face view female		
Color code	1=Brown 2=White 3=Blue 4=Black	1=Brown 2=White 3=Blue 4=Black 5=Black
Conductors gage	0.25mm <sup>2</sup>	0.25mm <sup>2</sup>
Conductors stranding	32 $\phi$ 0.10	32 $\phi$ 0.10
Outer jacket Dia. : mm	5.0	5.0
Outer jacket Material	PVC	PVC

Technical date

Applicable grade	HNE according to DIN 40040 ( -25°C/+90°C / $\leq$ 75%Rf ) standard
Injection of ontology	TPU
Rated current	4A
Rated voltage	60VAC/75VDC
Terminal	Brass , gold-plated
waterproof ring	Viton
Body material	TPU
Safety nuts	Brass , nickel-plated
Ingress protection	IP67
Connection impedance	$\leq$ 5m $\Omega$
Insulation grade	C according to VDE 0110 standard
Test voltage	1.5KV eff./60s.
Insulation impedance	$>$ 10 $\Omega$



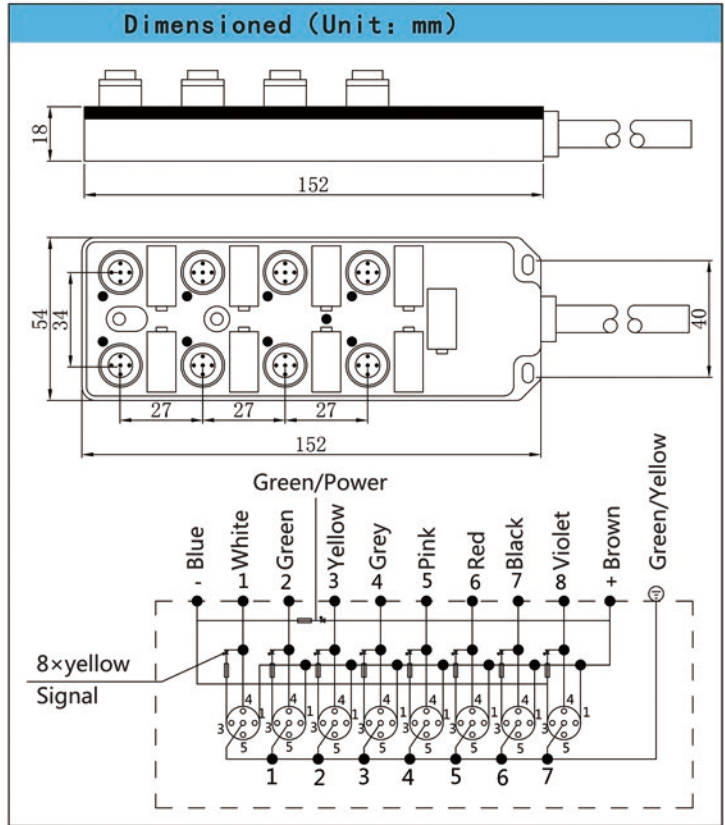
**Description**

- Distribution boxes, 8 port cable version.
- 5 poles 4 wires, with built-in LED's ( NPN ) .
- Earth connection, with dust covers and attachable molds.
- Standard length is 5 meter cable, other cable length or cable specifications on requests.

**Technical data**

<b>1. Application class :</b>	-15°C - +90°C	<b>4. Mechanical data :</b>	
<b>2. Materials :</b>		Insertion force	
Housing :	Nylon 6/6	( contact ) :	≤2.0N ( .11LBS )
Color :	Blue	Withdrawal force	
Contact :	Brass, gold over nickel plating	( contact ) :	≥0.5N ( .11LBS )
Receptacle shell :	Brass, nickel-plated	Protection :	IP68 , NEMA 6P ( only in fully locked position )
Insert :	PUR(Polyurethane) , black	Shock :	IEC-68-2-27
O-Ring :	Viton	Vibration :	IEC-68-2-6
<b>3. Electrical data :</b>		<b>5. CE Conformity with standards :</b>	
Contact resistance :	≤5mΩ	EN50082-1 , EN50082-2 , IEC60947-5-2	
Current rating :	4 Amps per outlet 12 Amp max per box		
Supply voltage :	10-30VDC		
Insulation resistance :	> 109Ω		

Part number	Poles	Color code	Cable type		
			Lead (mm <sup>2</sup> )	Outer jacket	
BB12-P5/408-V05N		1 = brown (+)	3 × 0.75 ( 96 × φ0.10 )	φ9.0	PVC
		2 = No wire			
		3 = blue (-)	8 × 0.34 ( 42 × φ0.10 )		
		4 = white (1)			
		green (2)			
		yellow (3)			
		grey (4)			
		pink (5)			
		red (6)			
		black (7)			
		violet (8)			
		5 = green/yellow (GND)			



**Description**

- Distribution boxes, 8 port cable version.
- 5 poles 4 wires, with built-in LED's ( PNP ) .
- Earth connection, with dust covers and attachable molds.
- Standard length is 5 meter cable, other cable length or cable specifications on requests.

**Technical data**

<b>1. Application class :</b>	-15°C - +90°C	<b>4. Mechanical data :</b>	
<b>2. Materials :</b>		Insertion force	
Housing :	Nylon 6/6	( contact ) :	≤2.0N (.11LBS)
Color :	Blue	Withdrawal force	
Contact :	Brass, gold over nickel plating	( contact ) :	≥0.5N (.11LBS)
Receptacle shell :	Brass, nickel-plated	Protection :	IP68 , NEMA 6P ( only in fully locked position )
Insert :	PUR(Polyurethane) , black	Shock :	IEC-68-2-27
O-Ring :	Viton	Vibration :	IEC-68-2-6
<b>3. Electrical data :</b>		<b>5. CE Conformity with standards :</b>	
Contact resistance :	≤5mΩ		EN50082-1 , EN50082-2 , IEC60947-5-2
Current rating :	4 Amps per outlet 12 Amp max per box		
Supply voltage :	10-30VDC		
Insulation resistance :	> 109Ω		

Part number	Poles	Color code	Cable type		
			Lead (mm <sup>2</sup> )	Outer jacket	
BB12-P5/408-V05P		1 = brown (+)	3 × 0.75 ( 96 × φ0.10 )	φ9.0	PVC
		2 = No wire			
		3 = blue (-)	8 × 0.34 ( 42 × φ0.10 )		
		4 = white (1)			
		green (2)			
		yellow (3)			
		grey (4)			
		pink (5)			
		red (6)			
		black (7)			
		violet (8)			
		5 = green/yellow (GND)			